

# Adjustable Standing Heater Silver

User Instructions

69567

---

Tools required (Not included)



---

Tools required (included)



---

## Technical Information

Power supply: 220 - 240V ~ 50Hz  
Power rating: 900/1200/2100W  
Ingress protection: IP44  
Element type: Halogen  
Life of lamp: Approximate maximum 5000 hours  
Dimensions: H175-207 x DIA59cm  
Net weight: 13.7kg



---

These instructions form part of this appliance. Please be sure to read them before use and keep for future reference. This product is for domestic use only and should not be used commercially or for contract purposes.

Produced in PRC for La Hacienda Ltd  
Hangar 27, Site C, Aston Down Airfield, Nr Stroud, Glos, GL6 8HR, UK  
[www.lahacienda.co.uk](http://www.lahacienda.co.uk)

## Care and safe use guidelines

**IMPORTANT: THIS appliance incorporates an anti-tip cut-out switch so will only operate in its fully assembled, upright orientation.**

### SAFETY INFORMATION

- The integral plug(s) of this appliance must not be cut off or modified for any purpose including: extending the cable length, wiring directly into an electrical spur, or modification of any type. Doing so may cause electrical safety or fire hazards and thereby invalidate the product warranty.
- Caution - some parts of this appliance can become very hot and cause burns. Particular attention must be given where children and vulnerable people are present.
- Do not use this heater in the immediate surroundings of a swimming pool, hot tub, pond or any vessel containing water.
- Children of less than 3 years should be kept away unless continuously supervised.
- Children aged from 3 years and less than 8 years shall only switch on/off the appliance after it has been placed or installed in its intended normal operating position. Additionally, they shall have been given supervision or instruction concerning use of the appliance in a safe way, and understand the hazards involved.
- Children aged from 3 years and less than 8 years shall not plug in, regulate and clean the appliance or perform user maintenance.
- Ensure any person operating the heater has the capability to do so without risking injury to themselves or others. Do not use this heater with a programmer, timer, separate remote-control system or any other device that switches the heater on automatically, since a fire risk exists if the heater is covered or positioned incorrectly.
- Do not move the unit when in use. Wait until the heater is completely cool before moving and check that it has been unplugged from the electrical socket.
- Never connect this appliance using a multi-way socket extender, plug expander or travel plug adaptor, etc.

### POSITIONING THE APPLIANCE

- This appliance is designed and intended for outdoor use only.
- This appliance contains hot and arcing components inside. Do not use in areas where petrol, paint, explosive and/or flammable liquids are used or stored.
- This appliance must NOT be located:
  - immediately below an electrical socket outlet;
  - within close proximity (1m) of any combustible materials e.g. furniture, trees, leaves, dry grass and bushes, etc;
  - with the heating element facing upwards;
  - where the cable could cause a trip hazard.
- This appliance must be located:
  - with the heating element facing the users, for optimum benefit;
  - on a flat, level, surface, without rocking or instability; It incorporates an anti-tip cut-out switch and intermittent operation may occur if used on an unstable surface.

### ELECTRICAL EXTENSION LEADS

- If it is necessary to use an extension lead to connect this appliance, be sure that it meets the following specification:
  - Tested and manufactured to BS EN 1363-2
  - Rated at 13A, 240 Volts, 3kW or higher
  - IP rated to IP54 or higher
  - Single socket extender only
- To protect against electric shock, it is recommended to connect a Residual Current Device (RCD) between the extension cable's plug and the wall mains socket.
- Ensure that the extension lead is fully unwound from its cable tidy or reel, before connecting any heating appliance.
- Never connect more than one extension lead in line with a heating appliance.
- Never use an extension lead in wet conditions, in rain or whilst using a hose pipe.

### MAINTENANCE & STORAGE

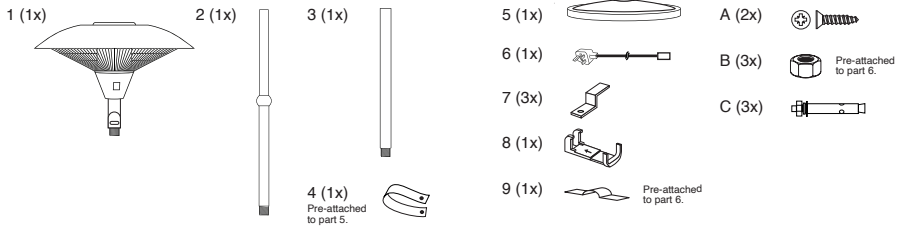
- Switch off then unplug this appliance before cleaning.
- Clean only with a soft damp cloth, and mild detergent if necessary; allow to dry naturally before re-connecting the mains plug. Do not use any abrasive substance or cloth for cleaning as this could damage the surface of the appliance.
- Avoid touching the heating element as finger marks will cause its premature failure. Any inadvertent finger marks should be wiped off using a soft cloth and methylated spirit or isopropyl alcohol.
- This appliance contains no user-replaceable parts. Seek the services of a certified electrician to replace the bulb/element if necessary.
- Do not leave this appliance outdoors overnight or when not in use. Store in a clean, dry environment.

### DISPOSAL



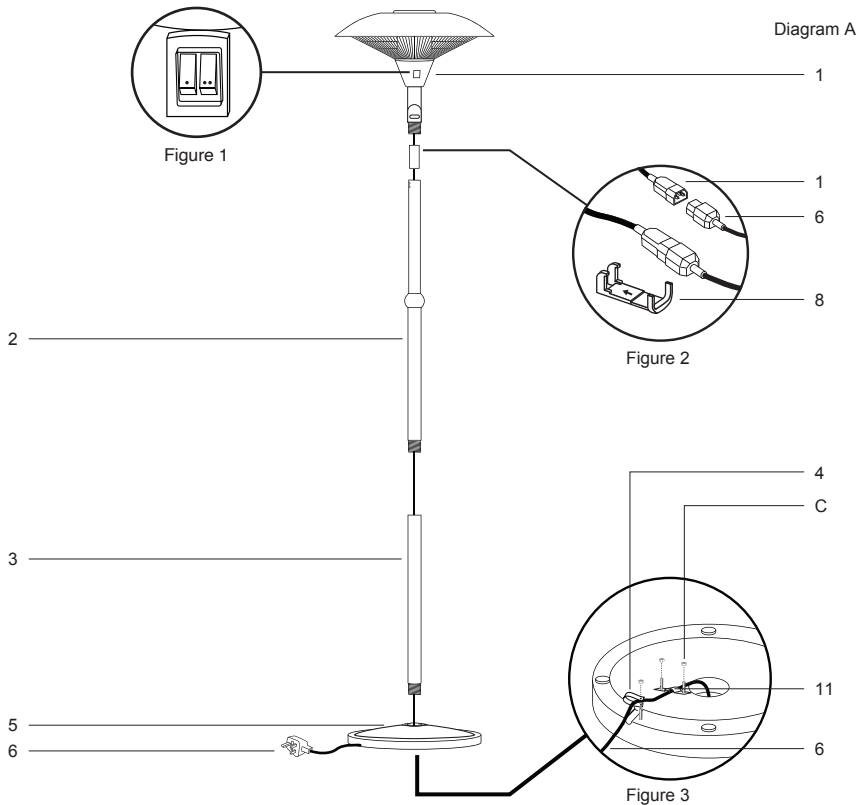
This symbol means that used electrical and electronic equipment (WEEE) should not be mixed with general household waste. For proper treatment, recovery and recycling, please take this product(s) to designated collection points where it will be accepted free of charge. Please contact your local authority for further details of your nearest designated collection point.

## Parts List



Prior to assembly, read the instructions carefully. Check all parts against this parts list. Carry out assembly on a soft surface to avoid scratching the paint. Please retain this information for future reference.

## Assembly Diagrams



## Assembly Instructions

**IMPORTANT!** - Remove any packaging before use, but retain the safety instructions and store them with this product.

STEP 1 - Screw the bottom tube (3) into the base (5).

STEP 2 - Feed the power cable (6) from the heater head (1) through the middle tube (2) and then screw the heater head (1) into the middle tube (2).

STEP 3 - Feed the power cable (6); female plug first, up through the hole in the base (5) and the bottom tube (3) and

- pull through approximately 2m of cable (6).
- STEP 4 - Take the middle tube (2) and ensure that the internal tube (2) (pre-attached within the middle tube) is exposed and extended beyond the height adjustment ring by approximately 0.15m. Once extended, fix the internal tube (2) by turning the height adjustment ring in a clockwise direction until secure.
- STEP 5 - Pull the power cable (6) through the middle and internal tube (2). Connect the middle tube (2) to the bottom tube (3) by screwing them together in a clockwise direction.
- STEP 6 - Connect the plug on the heater head (1) to the power cable plug (6). Then encase using the cable clip (8). Please refer to diagram A, figure 2.
- STEP 7 - Feed the cable connectors (figure 2) down into the internal tube (2).
- STEP 8 - Push the heater head (1) onto the internal tube (2), aligning the holes on the heater head (1) and the internal tube (2). Once aligned, fix in position using 2x screws (A).
- STEP 9 - To alter the height of the heater, turn the height adjustment ring in an anticlockwise direction to loosen, then raise or lower the internal tube (2) to the desired height and secure by turning the height adjustment ring in a clockwise direction.
- STEP 10 - Fix the power cable (6) to the base (5) by unscrewing the 3x nuts (B) from plastic fittings (4 & 9). Secure cable (6) by screwing 3x nuts (B). Please refer to diagram A, figure 3.

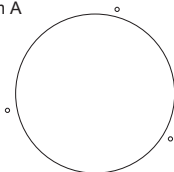
The product is now ready to use but please ensure you have read these instructions thoroughly prior to use.

## Ground Fixing

**IMPORTANT!** - Remove any packaging before use, but retain the safety instructions and store them with this product.

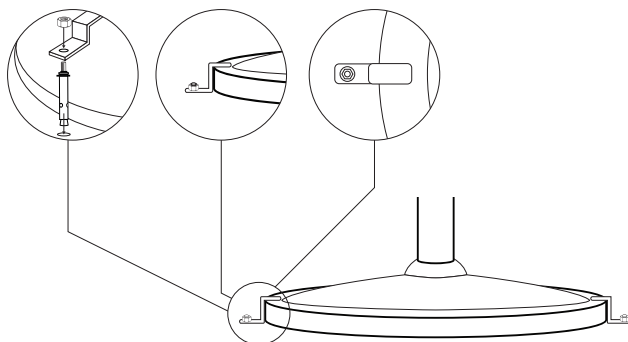
- STEP 1 - Place the product in the desired location (concrete surface recommended) in accordance with the care and use guide lines. Mark 3 points on the ground around the heater as per diagram A. Remove the product to proceed to the drilling step.

Diagram A



- STEP 2 - Using an appropriate drill and drill bit (concrete drill). Drill a hole on each point as marked from step one (Expansion bolt is 6mm in diameter).
- STEP 3 - Insert the anchor fixings (C) into the drilled holes, then place the product back into position and place fixing clips (7) onto the base of the heater, aligned with the anchor fixing (C).
- STEP 4 - Screw down each bolt using a spanner to secure in place. The product is now ready to use but please ensure you have read these instructions thoroughly prior to use.

Diagram B



## Operating The Appliance

- Ensure the unit is plugged into the correct power supply.
- To activate the "low" heat setting press the switch marked • only.
- To activate the "medium" setting press the switch marked •• only.
- To activate the "high" setting press BOTH switches.
- To turn the unit OFF completely press BOTH switches in the opposite direction to the "high" setting.